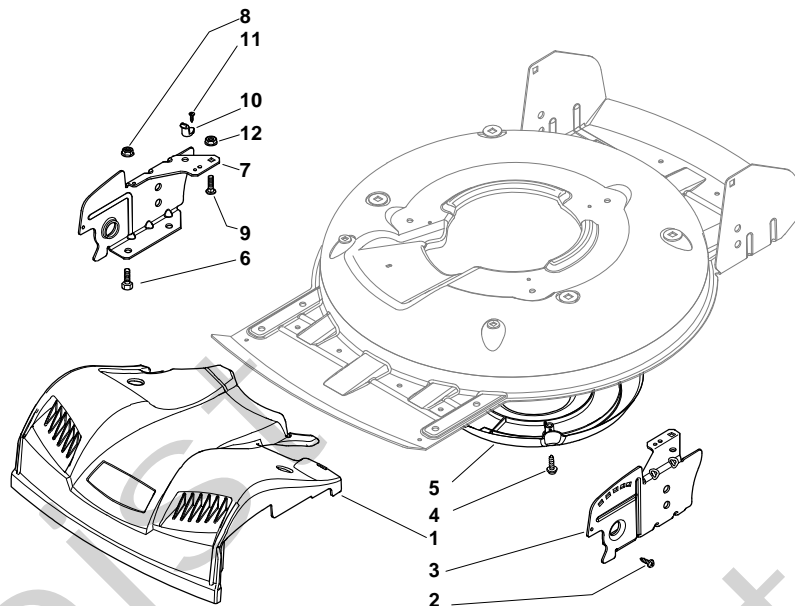


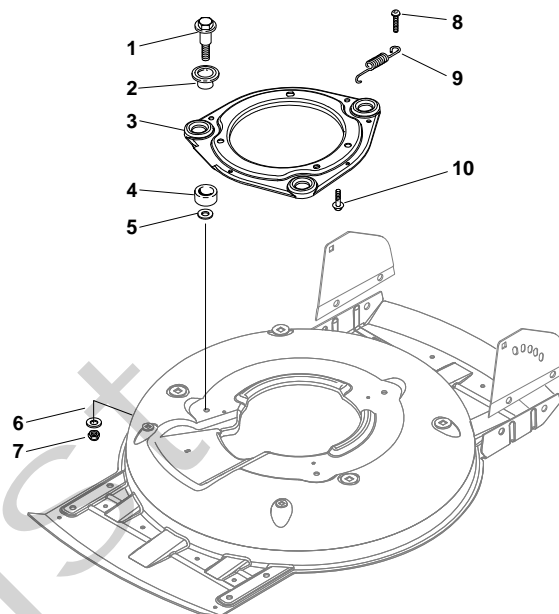
Genuine Spare Parts

**MULTICLIP 50 4S
INOX RENTAL**

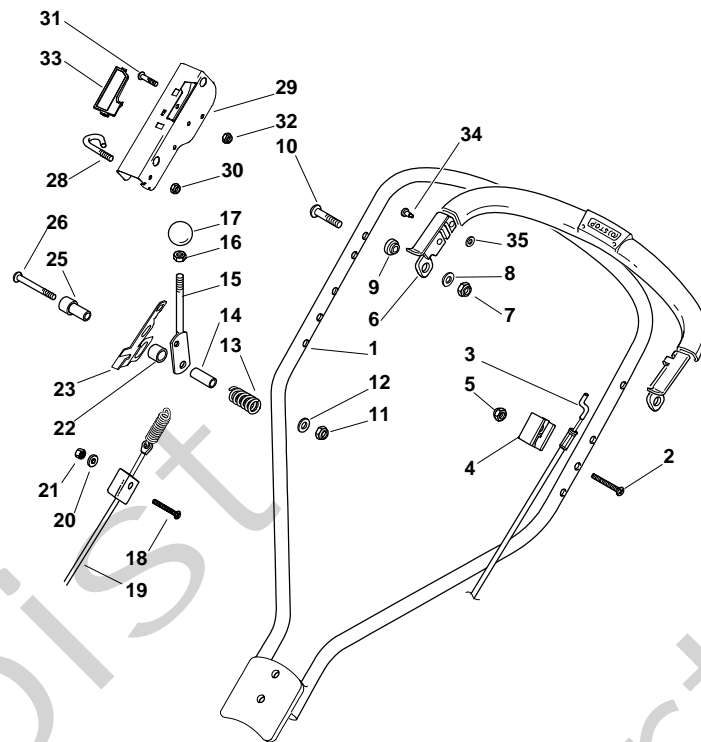




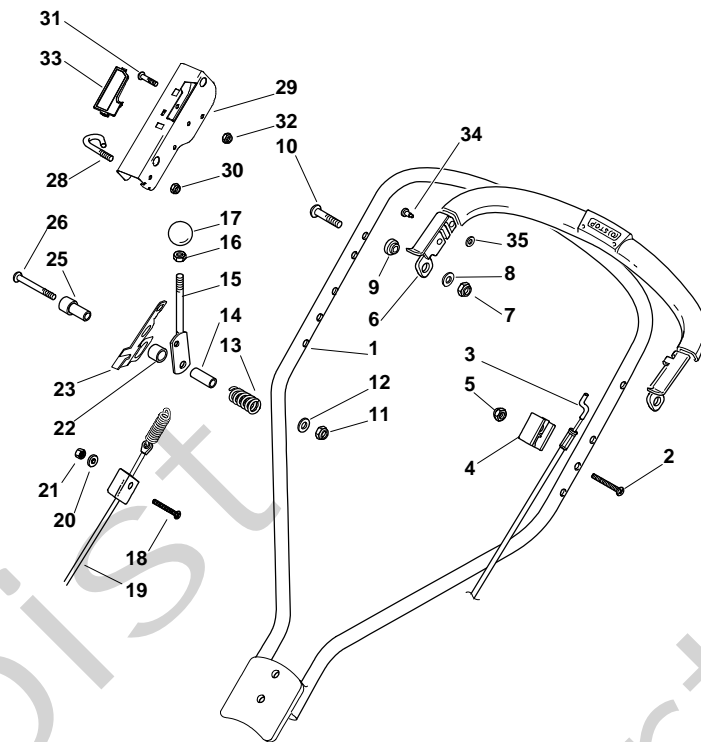
Pos. Fig.	Antal Quantity	Art No Part No	Benämning	Description	Anmärkning Notes
1	1	322226097/1	Frontklåpa-gul	Mask, Yellow	
1	1	322226098/1	Frontklåpa-grå	Mask, Grey	
2	2	12728523/0	Skruv	Screw	
3	1	22778421/0	Fäste-vä	Bracket, L	
4	3	12728530/0	Skruv	Screw	
5	1	22060220/0	Skydd	Protection	
6	4	12792611/0	Skruv	Screw	
7	1	22778419/0	Fäste-hö	Bracket, R	
8	4	12293201/0	Mutter	Nut	
9	2	12815200/0	Skruv	Screw	
10	2	22020400/0	Hållare	Fairlead	
11	2	12728523/0	Skruv	Screw	
12	2	12292102/0	Mutter	Nut	



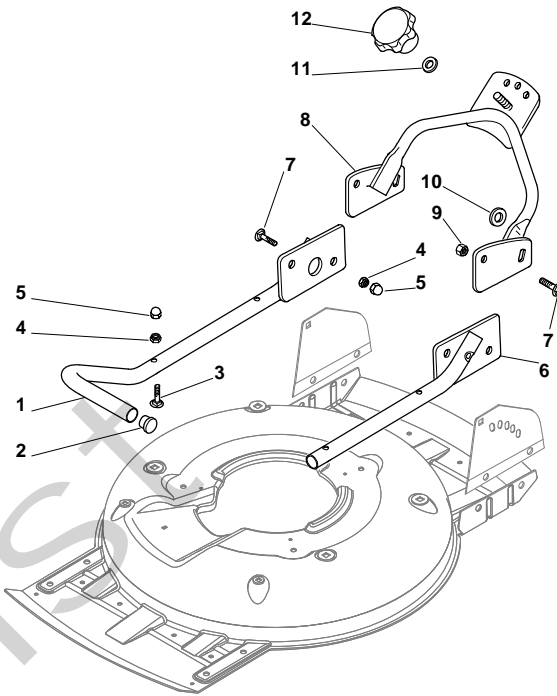
Pos. Fig.	Antal Quantity	Art No Part No	Benämning	Description	Anmärkning Notes
1	3	22524329/0	Bult	Pin	
2	3	22672201/0	Bricka	Washer	
3	1	322207221/1	Fläns-svart	Flange, Black	
3	1	81207221/1	Fläns-gul	Flange	
3	1	81207222/1	Fläns-svart	Flange, Black	
4	3	22250012/0	Dämpelement	Grommet	
5	3	22672201/0	Bricka	Washer	
6	3	22671651/0	Bricka	Washer	
7	3	12155000/0	Mutter	Nut	
8	1	12791400/0	Skruv	Screw	
9	1	22450444/0	Fjäder	Spring	
10	3	112735108/1	Skruv	Screw	



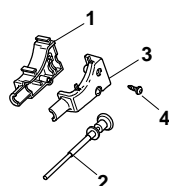
Pos. Fig.	Antal Quantity	Art No Part No	Benämning	Description	Anmärkning Notes
1	1	81006363/1	Styre-överdel	Handle, Upper Part Yellow	Yellow
1	1	81006363/1	Styre-överdel	Handle, Upper Part Yellow	
2	1	12727783/0	Skruv	Screw	
3	1	181000618/0	Motorbromswire	Cable, Thread Engine Brake	(Ggp 160cc)
3	1	181000618/0	Motorbromswire	Cable, Thread Engine Brake	
3	1	181000618/0	Motorbromswire	Cable, Thread Engine Brake	(B&S 625-675 Series)
3	1	181000618/0	Motorbromswire	Cable, Thread Engine Brake	(Ggp 140cc)
3	1	181000769/1	Motorbromswire	Cable, Thread Engine Brake	(B&S 450-500 Series)
3	1	181000769/1	Motorbromswire	Cable, Thread Engine Brake	TR 4S (Honda Gcv 135-160-190)
3	1	181000769/1	Motorbromswire	Cable, Thread Engine Brake	
3	1	81000733/0	Motorbromswire	Cable, Thread Motor Brake	(Honda Gcv 135-160-190)
3	1	81000733/0	Motorbromswire	Cable, Thread Motor Brake	
4	1	22551640/0	Wirefäste	Plate	
5	1	12154510/0	Mutter	Nut	
6	1	81003318/1	Reglagebygel	Lever, Engine Brake	
7	2	12154510/0	Mutter	Nut	
8	2	12521330/0	Bricka	Washer	
9	2	22671660/1	Bricka	Washer	
10	2	12727784/0	Skruv	Screw	
11	1	12292100/0	Mutter	Nut	
12	1	12530060/0	Bricka	Elastic Washer	
13	1	22450446/0	Fjäder	Spring	
14	1	22170840/0	Distans	Spacer	
15	1	81003313/0	Spak	Lever, Driving	
16	1	12293200/0	Mutter	Nut	
17	1	22399812/0	Knopp	Knob	
18	1	12727791/0	Skruv	Screw	
19	1	381000745/1	Kopplingswire	Cable, Rear Drive	
20	1	12521330/0	Bricka	Washer	
21	1	12154510/0	Mutter	Nut	
22	1	22170843/0	Distans	Spacer	



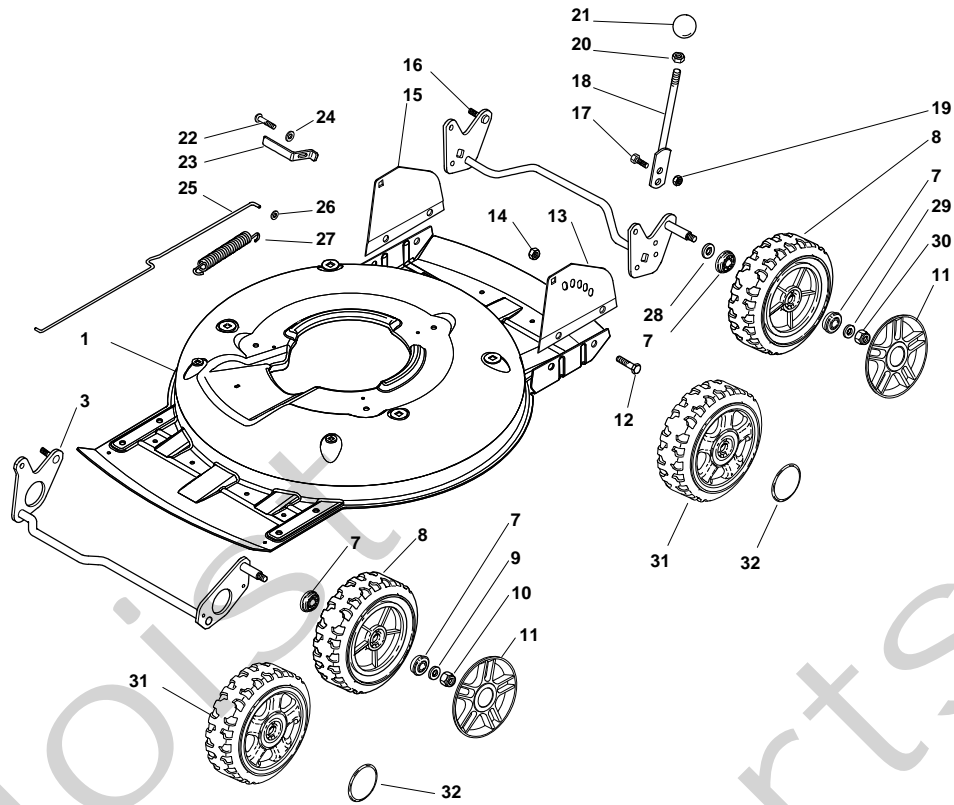
Pos. Fig.	Antal Quantity	Art No Part No	Benämning	Description	Anmärkning Notes
23	1	22551653/0	Platta	Plate	
25	1	22170842/0	Distans	Spacer	
26	1	12727786/0	Skruv	Screw	
28	1	22430314/0	Öglebult	Spring	
29	1	81004405/0	Panel	Dash Board	
30	1	12154510/0	Mutter	Nut	
31	1	12727792/0	Skruv	Screw	
32	1	12154510/0	Mutter	Nut	
33	1	22500050/0	Glidblock	Shoe	
34	1	22524342/0	Sprint	Pin	
35	1	12604897/0	Låsring	Washer	



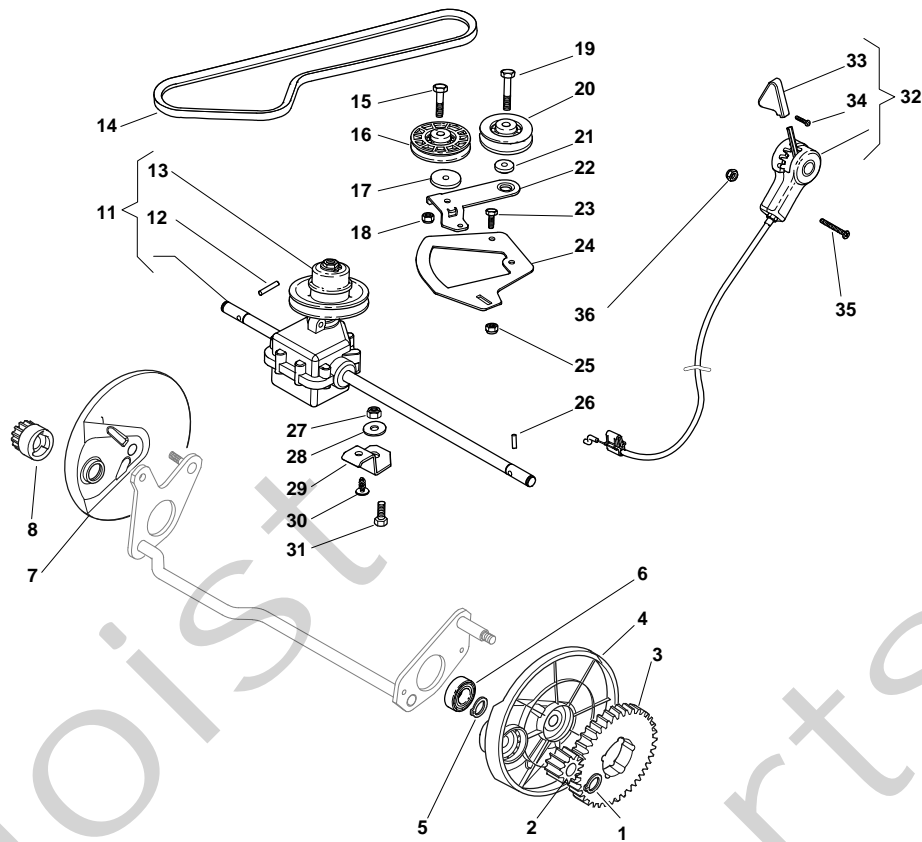
Pos. Fig.	Antal Quantity	Art No Part No	Benämning	Description	Anmärkning Notes
1	1	81006373/0	Styre-underdel, hö	Right Handle, Lower Part	
2	4	18566114/0	Plugg	Cap	
3	6	12819100/0	Skruv	Screw	
4	6	12155000/0	Mutter	Nut	
5	6	18203854/0	Tätningshylsa	Protection	
6	1	81006375/0	Styre-underdel, vä	Left Handle, Lower Part	
7	4	12793102/0	Skruv	Screw	
8	1	81006361/0	Styre-underdel	Handle, Lower Part Yellow	
8	1	81006367/0	Styre-överdel	Handle, Upper Part, Black	
9	4	12155000/0	Mutter	Nut	
10	2	12523060/0	Bricka	Washer	
11	1	12523080/0	Bricka	Washer	
12	1	22399813/0	Låsratt	Knob	



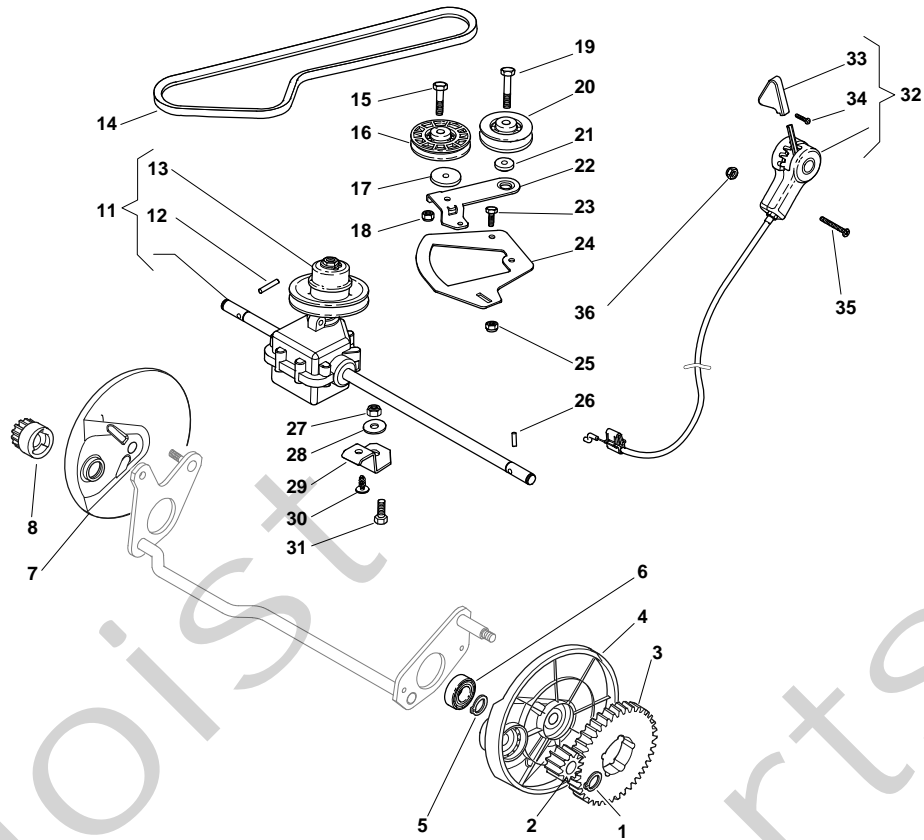
Pos. Fig.	Antal Quantity	Art No Part No	Benämning	Description	Anmärkning Notes
1	1	22722804/1	Hus	R Protection	
2	1	381000742/1	Chokereglage	Starter Drive	
2	1	381000742/1	Chokereglage	Starter Drive	(GGP 200 cc)
2	1	381030022/0	Chokereglage	Starter Drive	
2	1	381030022/0	Chokereglage	Starter Drive	(GGP 160 cc)
2	1	381030024/0	Chokereglage	Starter Drive	
2	1	381030024/0	Chokereglage	Starter Drive	(Honda)
3	1	22722805/1	Lock	L Protection	
4	1	12728300/0	Skruv	Screw	

MULTICLIP 50 4S INOX RENTAL - Model Year 2009


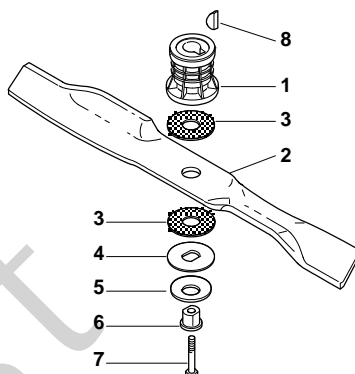
Pos. Fig.	Antal Quantity	Art No Part No	Benämning	Description	Anmärkning Notes
1	1	322064691/0	Chassi	Deck Inox	
1	1	81002909/1	Chassi	Deck Grey	
3	1	81002849/0	Hjulaxel	Axle, Front Wheels	
7	8	22122200/0	Kullager	Bearing	
8	4	81007343/0	Hjul	Wheel	
9	2	12369500/0	Bricka	Washer	
10	2	12155000/0	Mutter	Nut	
11	4	22110492/0	Navkapsel	Hub Cap Grey	
12	4	12791011/0	Skruv	Screw	
13	1	322545169/0	Platta-vä	Left Plate, Inox	
13	1	81545105/0	Platta-vä	Left Plate	
14	4	12154510/0	Mutter	Nut	
15	1	322545167/0	Platta-hö	Right Plate, Inox	
15	1	81545104/0	Platta-hö	Right Plate	
16	1	81002851/0	Hjulaxel	Axle, Rear Wheels	
17	2	12789000/0	Skruv	Screw	
18	1	81003323/0	Höjdställn.spak	Lever, Height Adjustment	
19	2	12154330/0	Mutter	Nut	
20	1	12293200/0	Mutter	Nut	
21	1	22399812/0	Knopp	Knob	
22	2	12735661/0	Skruv	Screw	
23	2	22551529/0	Hjulrensare	Plate	
24	2	12521330/0	Bricka	Washer	
25	1	22033329/0	Höjdställn.stång	Rod, Height Adjustment Control	
26	2	12604899/0	Låsbricka	Crown Fastener	
27	1	22446184/0	Fjäder	Spring	
28	2	12530150/0	Bricka	Washer	
29	2	12521350/0	Bricka	Washer	
30	2	12155000/0	Mutter	Nut	
31	4	81007382/0	Hjul	Wheel	
32	4	22110419/0	Navkapsel-svart	Hub Cap	



Pos. Fig.	Antal Quantity	Art No Part No	Benämning	Description	Anmärkning Notes
1	2	12608600/0	Låsring	Snap Ring	
2	1	22570120/1	Drev	Pinion L	
3	2	22120105/1	Ringdrev	Ring Gear	
4	1	22600092/0	Hjulskydd	Protection, R Wheel	
5	2	12608600/0	Låsring	Snap Ring	
6	2	19216035/0	Lager	Bearing	
7	1	22600093/0	Hjulskydd	Protection, L Wheel	
8	1	22570110/1	Drev	Pinion R	
11	1	181003098/1	Transmission	Gear Box	
12	1	12645700/0	Stift	Pin	
13	1	122601925/0	Remskiva	Pulley	
14	1	35064010/0	Drivrem	Belt	
15	1	12674701/0	Skruv	Screw	
16	1	22601914/0	Spännrulle	Pulley	
17	1	22680009/0	Bricka	Washer	
18	1	12154510/0	Mutter	Nut	
19	1	12689500/0	Skruv	Screw	
20	1	22601915/0	Spännrulle	Pulley	
21	1	22671656/0	Distans	Washer	
22	1	22320007/0	Spännarm	Lever	
23	1	12791011/0	Skruv	Screw	
24	1	22806629/0	Fäste	Support	
25	2	12154510/0	Mutter	Nut	
26	2	22753000/0	Stift	Pin	
27	1	12155000/0	Mutter	Nut	
28	1	12523060/0	Bricka	Washer	
29	1	22551655/0	Fäste	Support	
30	1	12728704/0	Skruv	Screw	
31	1	12793102/0	Skruv	Screw	
32	1	81007112/0	Variatorreglage	Cable, Speed Drive Control	
33	1	22399809/0	Knopp	Knob	



Pos. Fig.	Antal Quantity	Art No Part No	Benämning	Description	Anmärkning Notes
34	1	12728300/0	Skruv	Screw	
35	2	12727787/0	Skruv	Screw	
36	2	12154510/0	Mutter	Nut	



Pos. Fig.	Antal Quantity	Art No Part No	Benämning	Description	Anmärkning Notes
1	1	22465611/0	Nav	Hub	
2	1	81004146/0	Kniv	Blade Winged	
3	2	22672110/1	Friktionsbricka	Clutch Washer	
4	1	22672105/0	Bricka	Washer	
5	1	12508120/0	Tallriksbricka	Cupped Spring	
6	1	22041940/0	Bussning	Clutch Bush	
7	1	12736850/0	Skruv	Screw	
8	1	12139100/0	Kil	Key	